

**CETOP 3 SUBPLATES**

BS.3.01... / BS.3.0\*...  
CH. VII PAGE 7

BS.3.10/11... / BS.3.12/13...  
BS.3.14/15... / BS.3.16/17...  
CH. VII PAGE 8

BS.3.20/21... / BS.VMP.10...  
BS.3.W...  
CH. VII PAGE 9

BC.3.25/27... / BC.3.30/32...  
BC.3.40... CH. VII PAGE 10

BC.3.41/\*...  
CH. VII PAGE 11

BC.3.50... / BC.3.51...  
BC.3.07... / BC.3.107...  
CH. VII PAGE 12

BC.3.08... / BC.3.09...  
BC.06.XQ3... / BC.06.XQP3...  
CH. VII PAGE 13

BC.06.25/27...  
CAP. VII PAGE 14

BC.06.30/32... / BC.06.40...  
BC.06.41/\*... CH. VII PAGE 15

BM.3.\*\*... / BM.3.60...  
CH. VII PAGE 16

BM.3.50... / BM.3.70...  
CH. VII PAGE 17

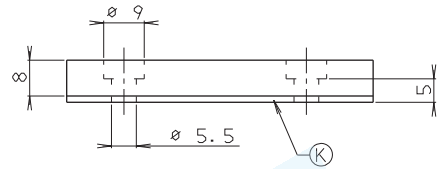
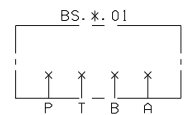
BM.3.52... / BM.3.72...  
CH. VII PAGE 18

CMP.10... BFP CARTRIDGE CATALOGUE  
XQ.3... CH. VIII PAGE 12  
XQP.3... CH. VIII PAGE 14

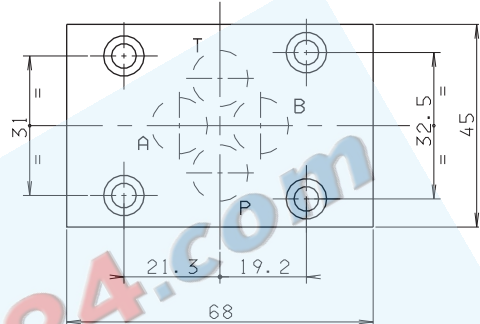
**BS.3... SINGLE STATION SUBPLATE**

**BS.3.01...**

- BS** Single subplate (blanking)
- 3** CETOP 3/NG6
- 01** P / T / A / B closed
- 00** No variant
- 1** Serial No.

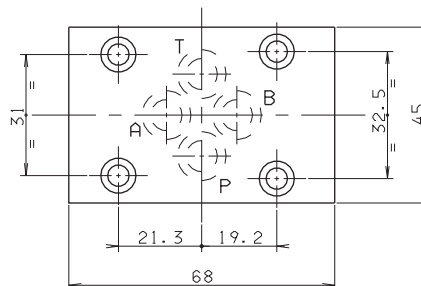
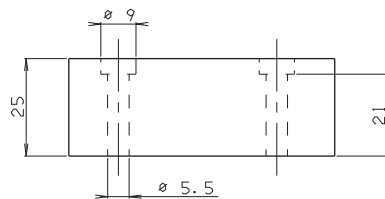
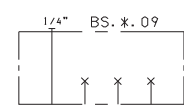
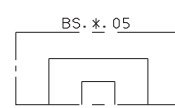
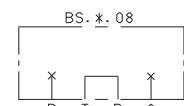
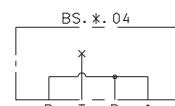
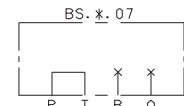
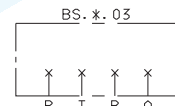
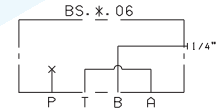
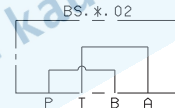


Weight: 0,2 Kg  
Fixing screws M5x14 UNI 5931  
K = plate OR (Q25.95.0001)



**BS.3.\*\* ...**

- BS** Single subplate (blanking)
- 3** CETOP 3/NG6
- \*\*** 02/03/04/05/06/07/08/09
- 00** No variant
- 1** Serial No.

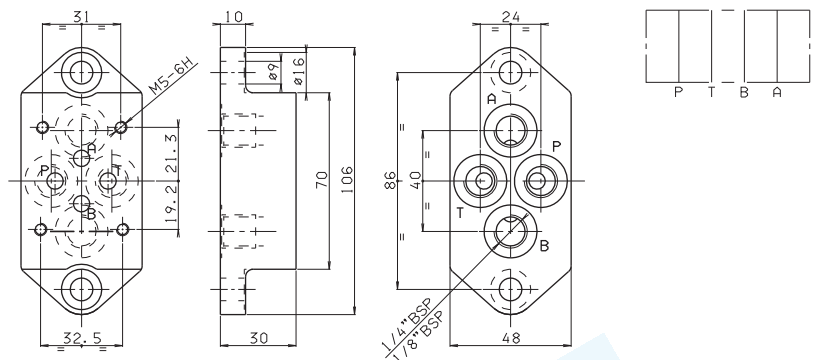


Weight: 0,5 Kg  
Fixing screws M5x30 UNI 5931

# BS.3... SINGLE STATION SUBPLATE

## BS.3.10/11... (REAR CONNECTORS)

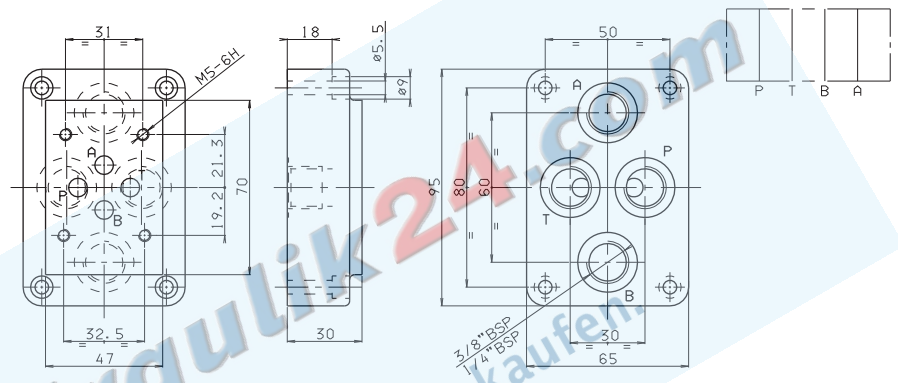
- BS** Single subplate
- 3** CETOP 3/NG6
- \*\*** **10** = 1/8" BSP rear connectors  
**11** = 1/4" BSP rear connectors
- 00** No variant
- 1** Serial No.



Weight: 0,7 Kg - Fixing screws M8x20 UNI 5931

## BS.3.12/13 (REAR CONNECTORS)

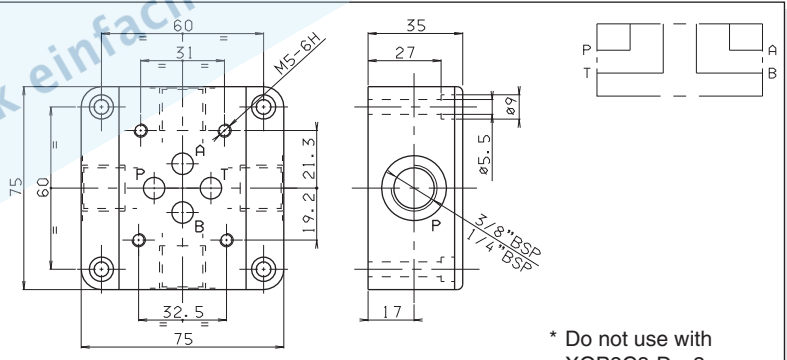
- BS** Single subplate
- 3** CETOP 3/NG6
- \*\*** **12** = 3/8" BSP rear connectors  
**13** = 1/4" BSP rear connectors
- 00** No variant
- 1** Serial No.



Weight: 1 Kg - Fixing screws M5x25 UNI 5931

## BS.3.14/15 (SIDE CONNECTORS)

- BS** Single subplate
- 3** CETOP 3/NG6
- \*\*** **14** = 3/8" BSP side connectors (\*)  
**15** = 1/4" BSP side connectors (\*)
- 00** No variant
- 1** Serial No.

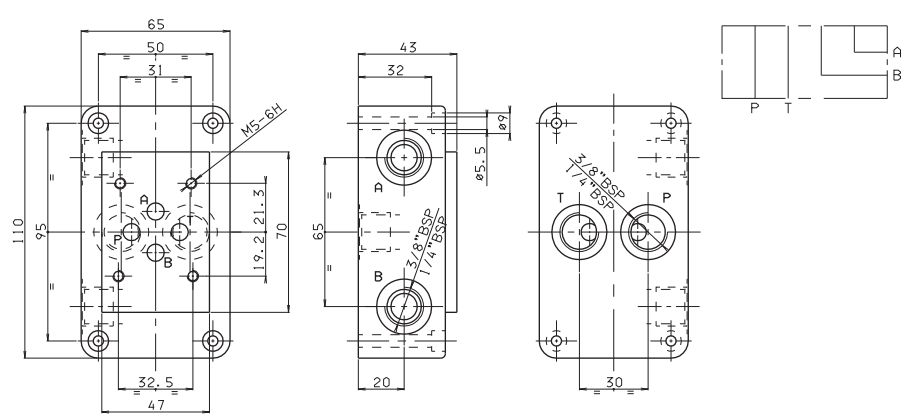


Weight: 1,2 Kg - Fixing screws M5x35 UNI 5931

\* Do not use with XQP3C3-D---2

## BS.3.16/17 (CONNECTORS SIDE A AND B, REAR P AND T)

- BS** Single subplate
- 3** CETOP 3/NG6
- \*\*** **16** = 3/8" BSP rear and side connectors  
**17** = 1/4" BSP rear and side connectors
- 00** No variant
- 1** Serial No.

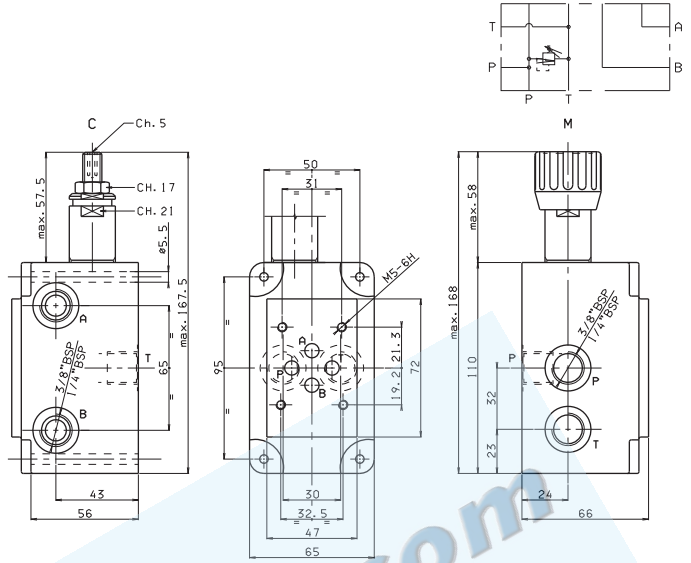


Weight: 1,8 Kg - Fixing screws M5x40 UNI 5931

# BS.3... SINGLE STATION SUBPLATE

## BS.3.20/21 (CONNECTORS SIDE A AND B, REAR P AND T)

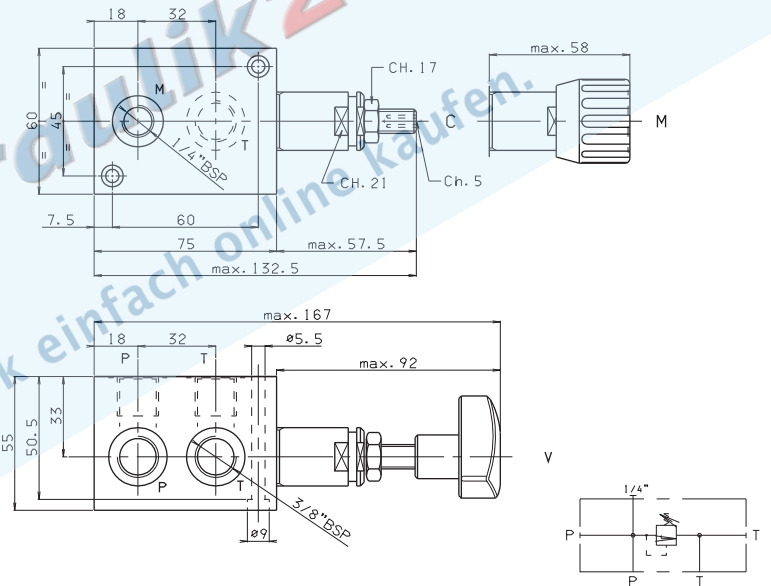
- BS** Single subplate
- 3** CETOP 3/NG6
- \*\*** **20** = 3/8" BSP rear and side connectors  
**21** = 1/4" BSP rear and side connectors
- \*** **M** = Plastic knob  
**C** = Grub screws
- \*** Setting range  
**1** = max. 50 bar (**white spring**)  
**2** = max. 150 bar (**yellow spring**)  
**3** = max. 320 bar (**green spring**)
- 00** No variant
- 1** Serial No.



Weight: 2,9 Kg - Fixing screws M5x65 UNI 5931

## BS.VMP.10 SINGLE STATION SUBPLATE WITH MAX. PRESSURE VALVE FOR SURFACE MOUNTING (E.G. ON TAKE COVER)

- BS** Single subplate
- VMP** Max. pressure valve
- 10** 3/8" BSP connectors
- \*** **M** = Plastic knob  
**C** = Grub screw  
**V** = Handwheel
- \*** Setting range  
**1** = max. 50 bar (**white spring**)  
**2** = max. 150 bar (**yellow spring**)  
**3** = max. 320 bar (**green spring**)
- 00** No variant
- 1** Serial No.

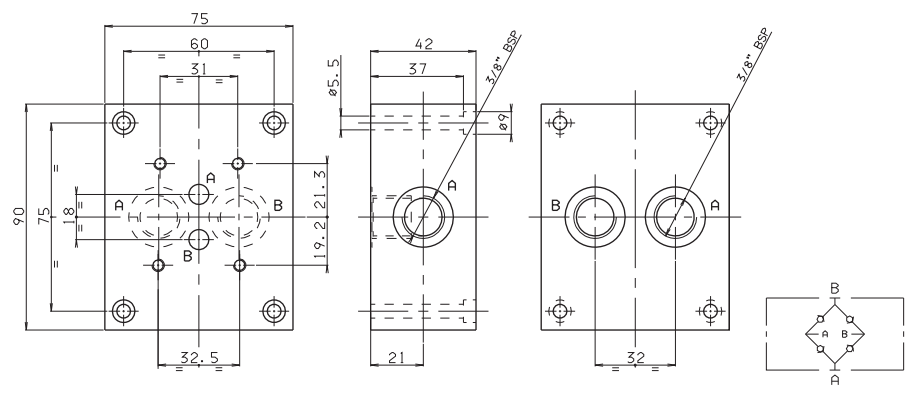


Weight: 1,6 Kg  
Fixing screws M5x60 UNI 5931

• The minimum permissible setting pressure depending on the spring: see cartridge valve type CMP.10...

## BS.3.W...

- BS** Single subplate
- 3** CETOP 3/NG6
- W** Wheatstone bridge
- 00** No variant
- 1** Serial No.



Weight: 1,8 Kg  
Fixing screws M5x45 UNI 5931