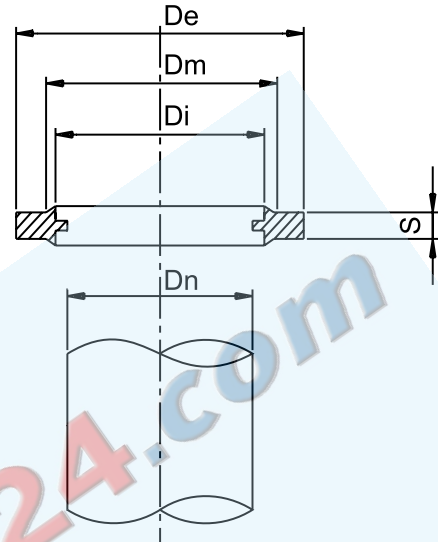


**RONDELLE BONDED**  
**BONDED SEALS**



**Materiale:** AISI 1010  
**Trattamento:** Zincate  
**Elastomero:** NBR 85 SH  
**Colore:** Blu

**Material:** AISI 1010  
**Treatment:** Zinc-Plating  
**Elastomer:** NBR 85 SH  
**Colour:** Blue

**DIMENSIONI E DATI TECNICI - EXTERNAL DIMENSIONS AND TECHNICAL DATA**

Codice/Code	Dn	De	Di	Dm	S	Pressione Minima Minimum Pressure bar	Confezioni Packages
440074	1/8	15.9	10.4	11.85	2	1500	100
440068	1/4	20.6	13.75	15.2	2	1550	100
440045	3/8	23.8	17.3	18.75	2	1260	100
440070	1/2	28.6	21.55	23	2.5	1150	100
440093	5/8	31.8	23.5	25	2.5	1250	100
440075	3/4	34.95	27.1	28.5	2.5	1060	100
440069	1"	42.8	33.9	36.9	2.5	790	50
440076	1 1/4	52.4	43	46	3.2	690	25
440077	1 1/2	58.6	48.5	51.4	3.2	690	25
440078	2	73	60.5	63.7	3.2	700	25
440082	M 5	9	5.7	6.8	1	1400	100
440084	M 6	11	6.7	8	1	1130	100
440085	M 8	13	8.7	10.4	1	1330	100
440086	M 10	16	10.7	12.4	1.5	1350	100
440079	M 12	18	12.7	14.4	1.5	1250	100
440080	M 14	22	14.7	16.4	1.5	1510	100
440087	M 16	24	16.7	18.4	1.5	1400	100
440081	M 18	26	18.7	20.4	1.5	1275	100
440088	M 20	28	20.7	22.4	1.5	1150	50
440089	M 22	30	22.7	24.4	2	1100	50
440090	M 24	32	24.7	26.4	2	1050	25
440091	M 27	36	27.3	29	2	1130	25
440092*	M 31	39	31	33	2	900	25
440099	M 33	42	33.7	35.8	2	860	25

\* non autocentrante  
\* not self-centering