

10.1 General

It is used for the periodic check of accumulator pre-charge and for the inflation of accumulators themselves after the replacement of the bladder or it is used for the change of pre-charge value. For the inflation is necessary a connection to a bottle filled with industrial dry nitrogen with a pressure higher than the precharge value required, provided with **pressure reducer** (mandatory, for safety reasons, during the inflation of accumulators with PS < 210 bar). Furthermore the use of a pressure reducer make easier the **slow and graduated** inflow of nitrogen on the bladder avoiding in this way the possibility of damaging of the bladder itself.

10.2 Construction

STANDARD VERSION includes:

- Valve body complete with ring nut connection to accumulator gas valve, pressure gauge, bleed and non return snap-in hose connection.
- 3 m charging hose for high pressure series complete with bottle connections.
- One connection nipple to pressure reducer.
- Set of spare gaskets.
- Case.

ON REQUEST:

- ADAPTER for special accumulator gas valves.
- CHARGING HOSE with length of 6 m.



10.3 Technical features

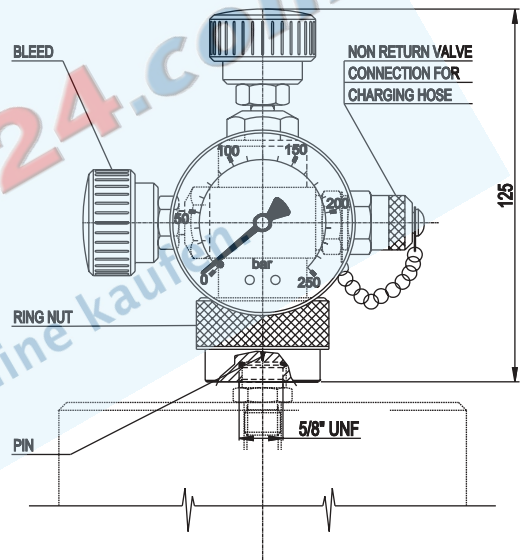
Max working pressure: 600 bar

Accumul. connection: 5/8" UNF (standard)
7/8" UNF; ø 7,7x1/32" (Vg8); 1/4" ISO 228; (on request)

Bottle connection: See designation (ch 10.5), drawings and table ch. 10.7 page 35

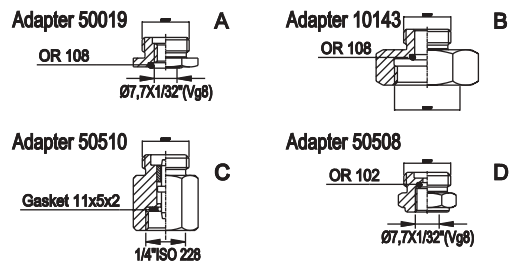
Pressure gauges: - Ø 63 connection 1/4" ISO 228
- Full scale 250 bar for high pressure accumulators
- Full scale 25 bar for low pressure accumulators

Weight: 1,8 kg (case included)



10.4 Spare parts

Gasket set	2160	Complete bleed	2164
Non-return valve	2162	Charging hose	2166/ (metres) ...
Central pin	2165	Pressure gauge	2163/ (bar) ...



10.5 Identification code

The example below shows equipment for filling and checking with pressure gauge of 250 bar, with accumulator connection 5/8" UNF and standard bottle connection, complete with 3 m hose and case.
SAMPLE OF DESIGNATION:

PC 250 S 1 - -

Type	Pressure gauge (bar)	Connection to accumulator	Connection to bottle ¹⁾ (according to Country standards)				Charging hose (metres)
PC Pre-loading and checking	25	S = 5/8" UNF (standard)	1 = Italy	3 = Belgium	4 = Argentina	5 = Brazil	- = 3 m (standard) L = 6 m (on request)
	250	A = ø 7,7x1/32" (Vg8) (adapter 50019) B = 7/8" UNF (adapter 10143) C = 1/4" ISO 228 (adapter 50510) D = ø 7,7x1/32" (Vg8) (long thread) (adapter 50508)	2 = Austria Czech Republic Denmark Finland Germany Netherlands Norway Poland Sweden Switzerland	Egypt France Hungary Mexico Morocco Romania Saudi Arabia Slovenia Spain Tunisia	Australia Great Britain Greece India Indonesia New Zealand Philippines Portugal Singapore Turkey	South America 6 = South Africa 7 = Canada USA 8 = Russia Venezuela 9 = Japan 10 = Taiwan 11 = China 12 = Korea	

1) Other types on request