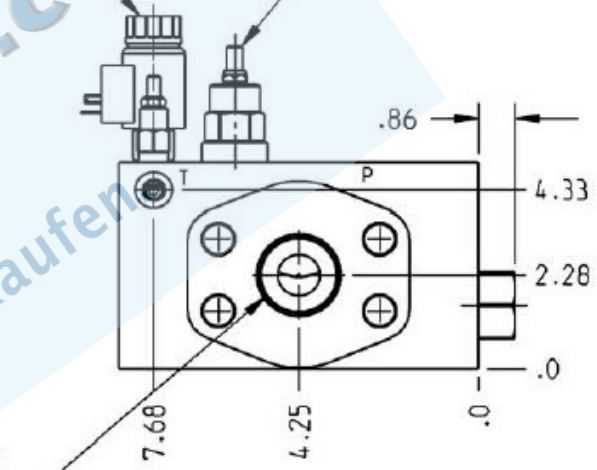
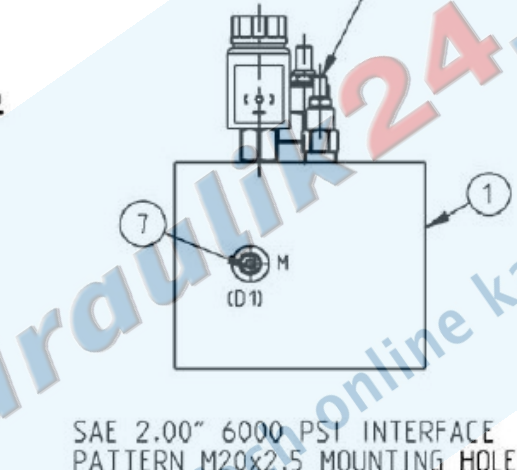
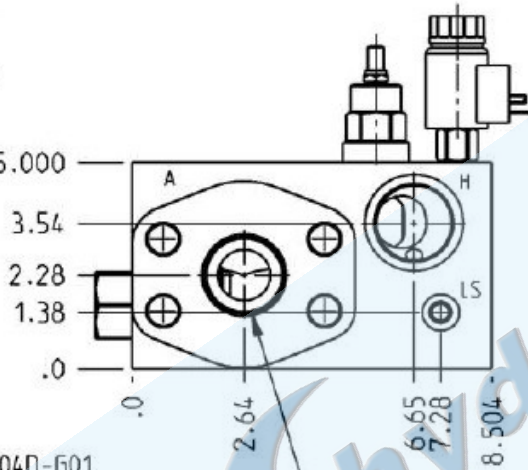
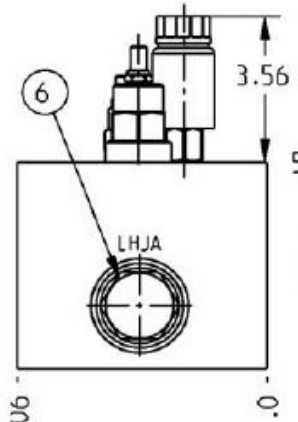
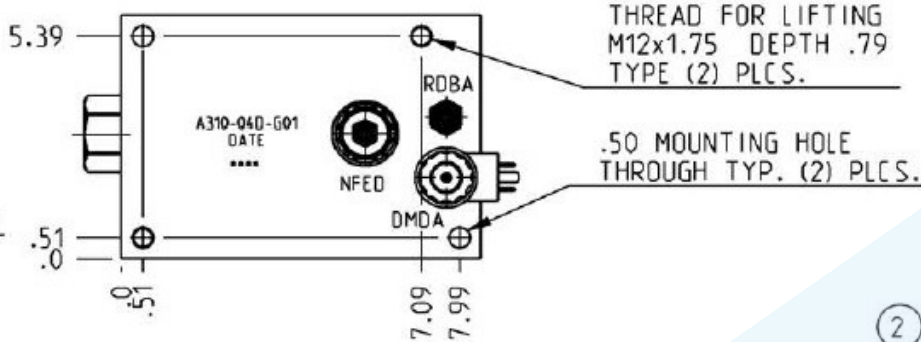


**PORTING:**

ALL PORTING IS BSPP  
PARALLEL THREAD  
PER ISO 1179

**NOTE:**

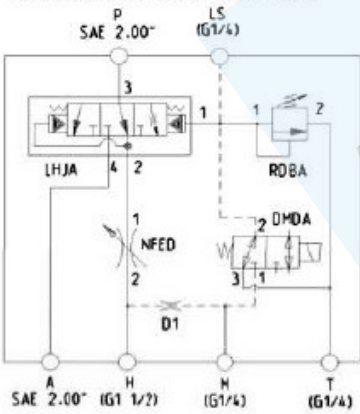
1, P WITH ADDITIONAL  
1.500-11 BSPP PORT



5.906

SAE 2.00" 6000 PSI INTERFACE  
PATTERN M20x2.5 MOUNTING HOLE  
DEPTH 1.38 TYP. (4) PLCS.

**SCHEMATIC: A310-04D-G01**



**PRESSURE COMPENSATOR  
SERIES 4**

$P_{max}$  = 350 bar

$Q_{p,max}$  = 500 l/min

$Q_{H,max}$  = 350 l/min

$P_{H,min}$  = 7 bar

7	280-050-005	ORIFICE M6 - 0.8mm DIA	I
6	LHJA-XFN	3 WAY FLOW CONTROL VAL.	I
5	NFED-LHN	NEEDLE VALVE	I
4	770-224	COIL	I
3	DMDA-MNN	3/2 WAY SOLENOID VALVE	I
2	RDBA-LCN	RELIEF VALVE	I
1	166-892	BODY	I

SHEET 1 OF 1

TITLE		HAMMERVALVE SERIES 4		REV	0	PART NO	A310-04D-G01
SCALE		0.333		REF	9111-04A-G01		
MATERIAL		SG-IRON		HEAT TREAT & FINISH			
DRAWN		RS		CHECK	HJ		
DATE		DATE		RELEASE			