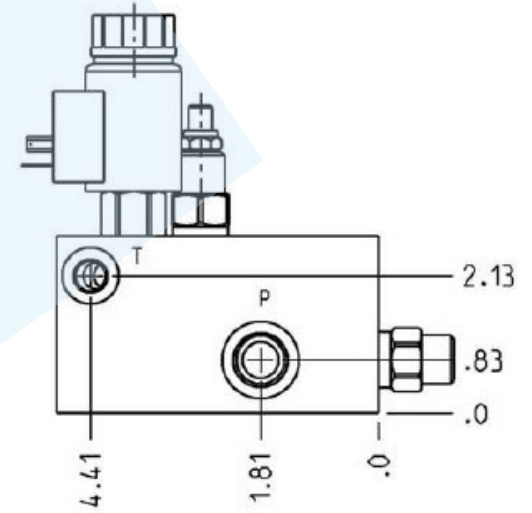
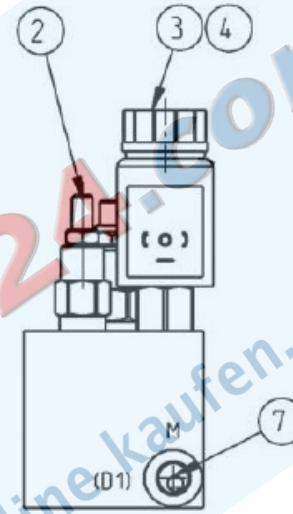
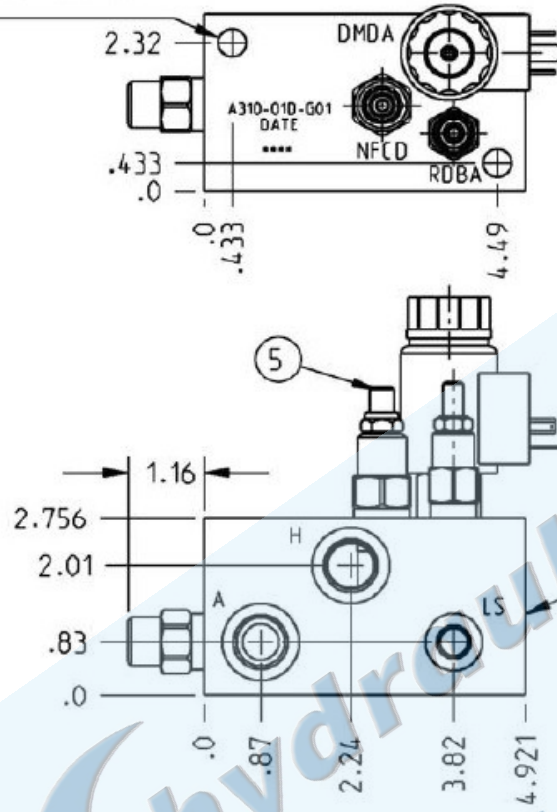
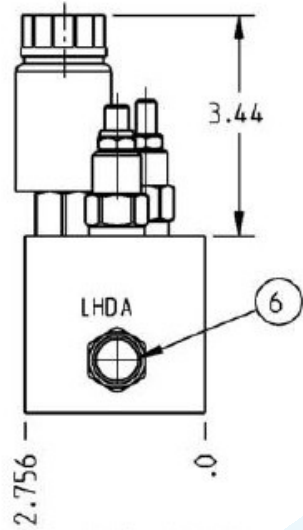
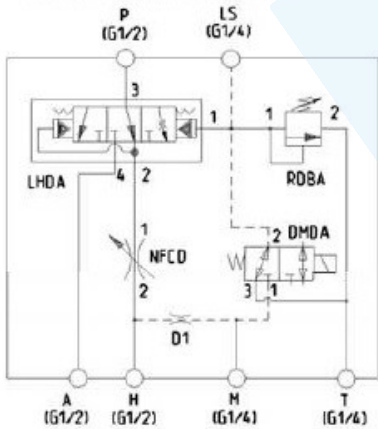


.44 MOUNTING HOLES THROUGH
TYP: (2) PLCS.



SCHEMA: A310-01D-G01



**PRESSURE COMPENSATOR
SERIES 1**
 $P_{max} = 350 \text{ bar}$
 $Q_{p, max} = 100 \text{ L/min}$
 $Q_{H, max} = 60 \text{ L/min}$
 $P_{H, min} = 7 \text{ bar}$

PORTING:
ALL PORTING IS BSPP
PARALELL THREAD
PER ISO 1179

7	280-050-005	ORIFICE M6 DIA	1
6	LHDA-XEN	3 WAY FLOW CONTROL VAL	1
5	NFCD-LFN	NEEDLE VALVE	1
4	770-224	COIL	1
3	DMDA-MNN	3/2 WAY SOLENOID	1
2	RDBA-LCN	RELIEF VALVE	1
1	166-835	BODY	1

SHEET 1 OF 1

INDEX	REVISION	DATE	DRN	CHK	REL	TITLE	HANMERVALVE SERIES 1	REF	0	PART NO	A310-01D-G01	
						DIMENSION TOL	SCALE	REF	MATERIAL			
						.25 ± .015	0.500	9605-21A-G01	SG IRON			
						.300 ± .025			HEAT TREAT & FINISH			
						MACHINING STANDARD	DRN	RS	CHK	HJ	REL	CHEM.
						S-180	DATE	01SEP04	DATE	17SEP04	DATE	BLACK
						ANGLE TOL						
						± 1°						
						FINISH						
						60						
						REMOVE ALL BURRS						
						.005 MAX. BREAK						